

Technical Bulletin 109-Ipex Low Profile Vent Termination Kits

The purpose of this technical bulletin is to provide detailed information for the recently approved Ipex Low Profile Vent Termination Kits to be used with the Rinnai Condensing Ultra series. The Ipex Low Profile Termination has been tested and certified for use with the new twin pipe PVC/CPVC venting arrangement only.

The following information should be used as a guide when installing the Ipex Low Profile Termination:

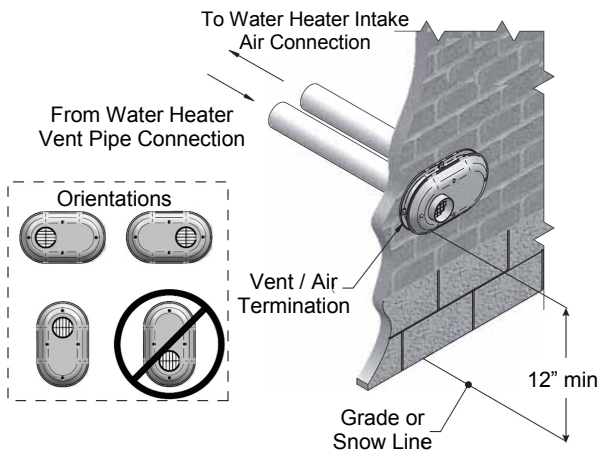
- The Ipex Low Profile Termination kits must be tested and certified for use with the chosen brand of pipe-fitting-cement system used. The termination is fully certified (System 636) for use with product from the original equipment manufacturer only.
- Ipex Low Profile Termination kits are comprised of PVC and are rated to 65°C (149°F) maximum and are made from certified compound.
- All termination kits must be located and installed in accordance with these instructions, Rinnai water heater installation and operation manual, local building code, and CSA B149.1 Natural Gas and Propane Installation Code.

⚠ WARNING

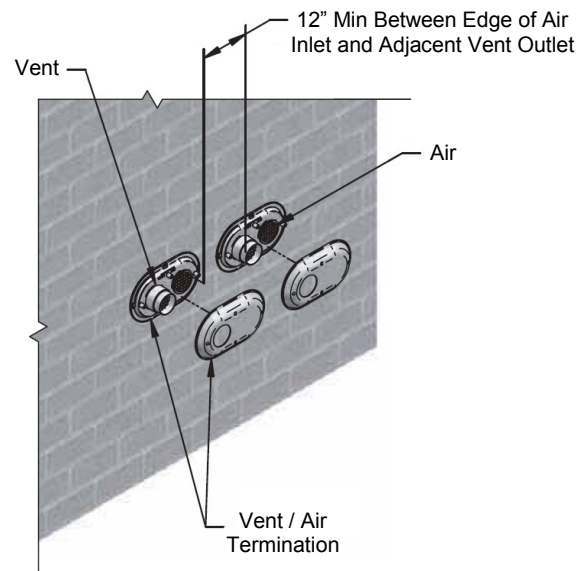
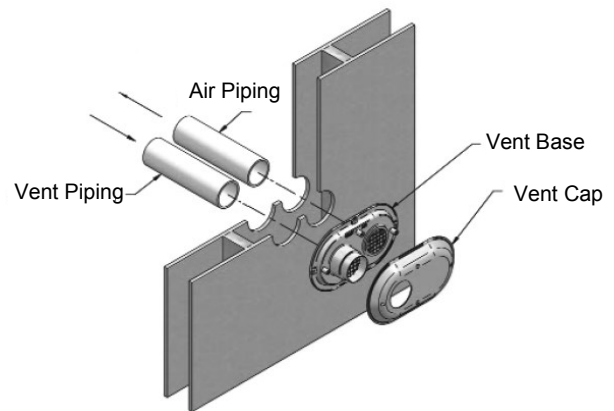
When locating openings for vent and air pipes, ensure locations are as depicted in figures. For multiple vent terminations (horizontal configuration) ensure vent and air pipes are at same height. Failure to do so can result in property damage, personal injury, or death.

Ipex Low Profile Termination Kits-Dimensions

| Item # | Description | Pipe Outside Diameter | Hole Spacing (Ctr to Ctr) |
|--------|-------------------------|-----------------------|---------------------------|
| 196985 | 3" Flush Mount Vent Kit | 3.5" | 5.6" |
| 196986 | 4" Flush Mount Vent Kit | 4.5" | 5.6" |



| Included with each termination | |
|--------------------------------|------------------------|
| Qty | Item Description |
| 1 | Base (Two Holes) |
| 1 | Cap (One Hole) |
| 8 | Stainless Steel Screws |
| 4 | Plastic Anchors |



For further information regarding the Ipex Low Profile Termination visit:
www.ipexamerica.com
www.ipexinc.com

Rinnai America Corporation • 103 International Drive, Peachtree City, GA 30269

Toll-Free: 1-800-621-9419 • Phone: 678-829-1700 • www.rinnai.us

©2014 Rinnai America Corporation. Rinnai is continually updating and improving products; therefore, specifications are subject to change without prior notice. Local, state, provincial, federal and national fuel gas codes must be adhered to prior to and upon installation.